

BUFFER

Buffering system

LARGE STORAGE IN A SHORT FOOTPRINT

- Wide modularity
- Able to handle many different formats
- Short footprint
- Fully servo driven

BUFFER is a fully servo driven vertical buffering system, capable of storing products of many different shapes and kind. Thanks to its modularity, it is possible to increase machine storing capacity at any time.

BUFFER

Buffering system



TECHNICAL DATA

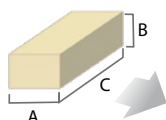
Average absorbed power	3 kW
Machine max load	300 Kg

SIZE RANGE

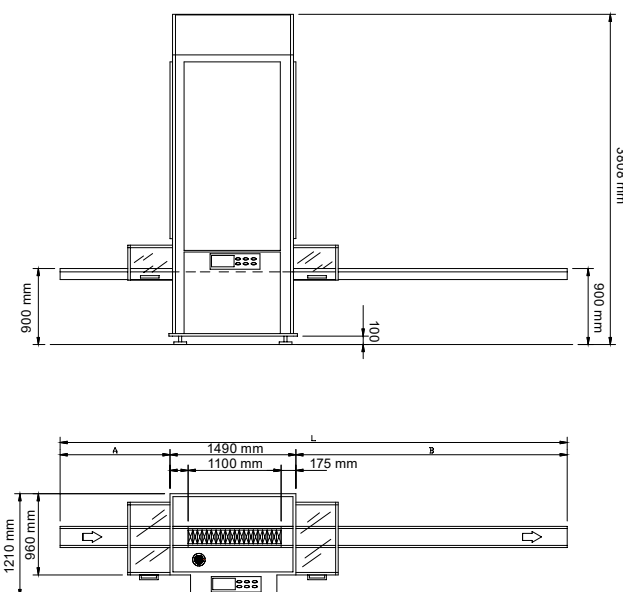
Measures in mm.
Modifications can be made
for formats exceeding the
standard limit.

PRODUCT

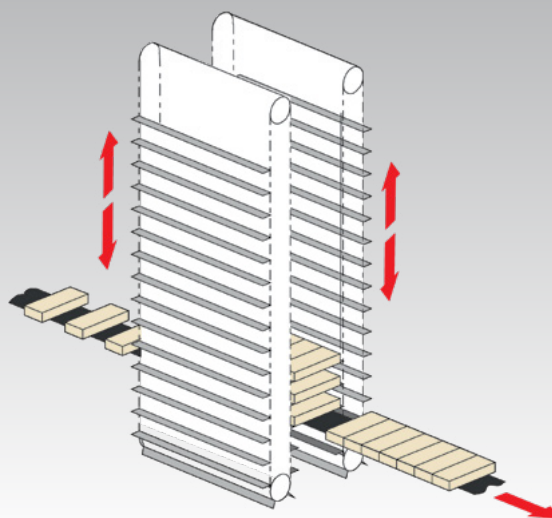
	A	B	C
min.	20	20	60
max	500	180	350



LAYOUT



INFEED



PIERREBI srl

Via Allende 3 – 40026, Imola (BO) – Italy
Tel. +39 0542 067376 – pierrebi@pierrebi.it

prb
PierreBi