

# FAR XE

Bundler/Overwrapper

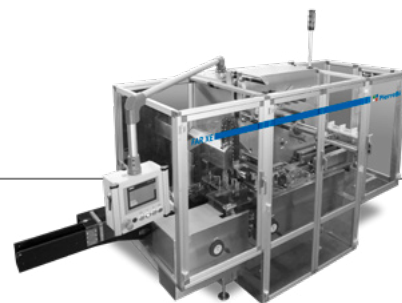
- Lateral sealing with belts or plates
- Motion controls
- Electronic film unwinding
- Monobloc cantilever design for easy access and cleaning
- Fully servo driven

## REVOLUTION OF SPECIES

**Far XE** is a servo driven bundler/overwrapper with a short footprint for high production speed combined with a remarkable flexibility and a wide product range.

# FAR XE

Bundler/Overwrapper

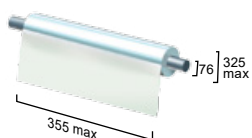


## TECHNICAL DATA

Max mechanical speed:	
rear side transversal sealing	up to 100 cycles/minute
Max absorbed power	11 kW
Weight of basic machine	1.870 Kg

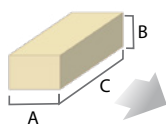
## SIZE RANGE

Measures in mm.  
Modifications can be made for formats exceeding the standard limit.



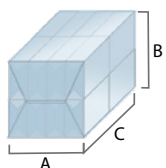
### PRODUCT

	A	B	C
min.	15	10	50
max	250	60	210

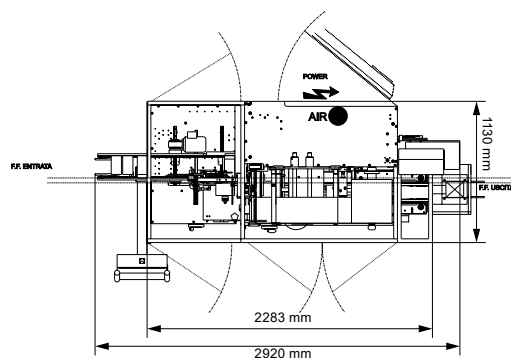
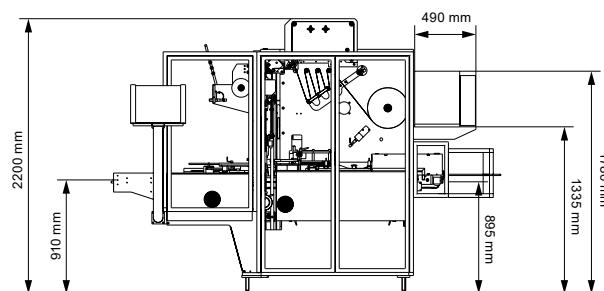


### BUNDLE

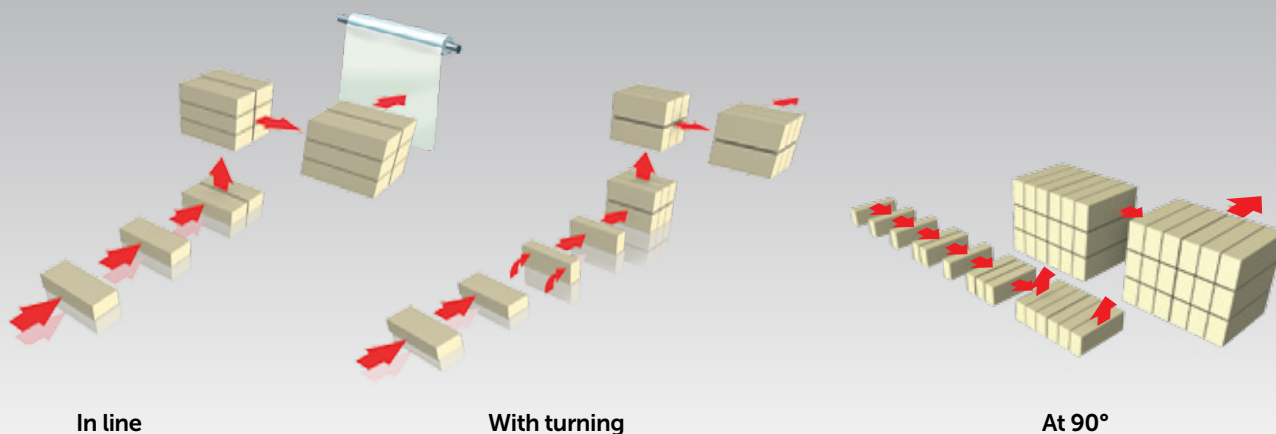
	A	B	C
min.	50	20	50
max	250	150	210



## LAYOUT



## INFEED



PIERREBI machines comply european standard for work safety (CE mark), and they are supplied with detailed technical informations. Technical data and illustrations are not binding; PIERREBI reserves the right to change the specifications of its machines at any time.

**PIERREBI srl**

Via Allende 3 – 40026 Imola (BO) – Italy  
Tel. +39 0542 067376 – pierrebi@pierrebi.it

**prb**  
**PierreBi**