

PENTA XE

Overwrapper

- Complete overwrapping with envelope side fold seals
- Quick format change over
- Wide range of formats
- Short footprint
- Minimum maintenance requirements
- Speed up to 120 cycles/minute

EASY RIDE FOR DIFFICULT PRODUCTS

Penta XE is a high speed overwrapper with an excellent wrapping quality. Fully servo driven movements, high quality construction and the application of advanced technology, make Penta a fast and reliable machine.

PENTA XE

Overwrapper



TECHNICAL DATA

Max mechanical speed	up to 120 cycles/minute
Max absorbed power	12 kW
Weight of basic machine	1050 Kg

SIZE RANGE

REEL	H	L
min.	230	356
max.	750	1150

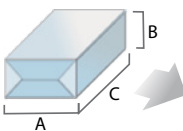
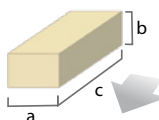
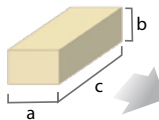
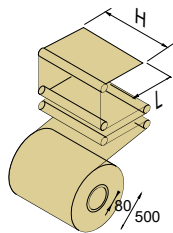
PRODUCT INFEEED

IN LINE	a	b	c
min.	25	15	60
max.	160	80	300

90°	a	b	c
min.	60	25	25
max.	350	80	160

BUNDLE

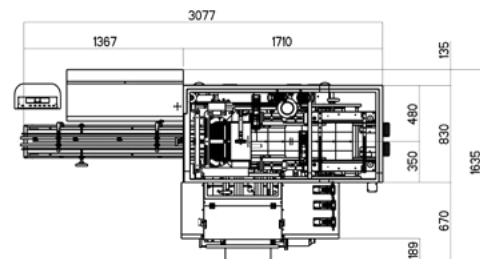
	A	B	C
min.	25	15	60
max.	130	80	300



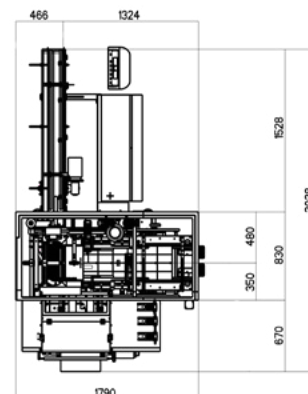
Measures in mm. Modifications can be made for formats exceeding the standard limit.

LAYOUT

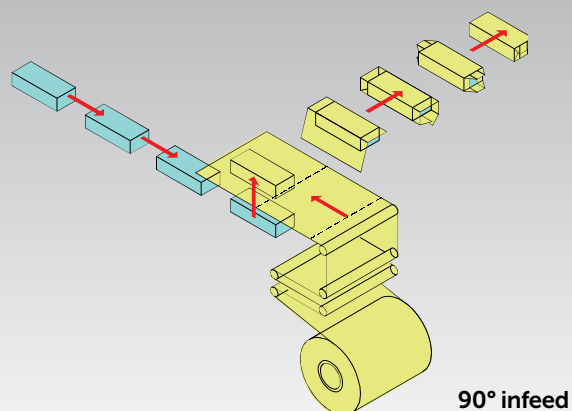
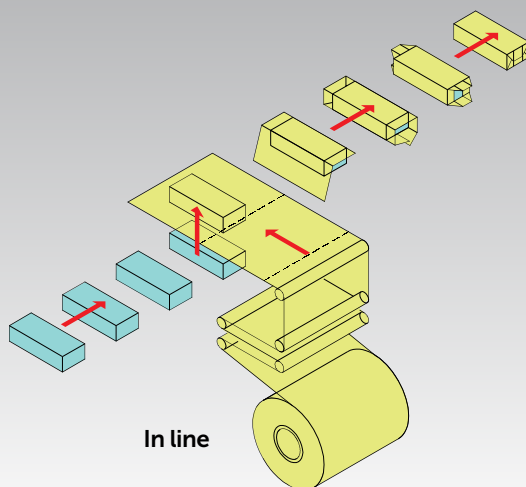
IN LINE INFEEED



90° INFEEED



FLOW CHART



PIERREBI srl

Via Allende 3 – 40026 Imola (BO) – Italy
Tel. +39 0542 067376 – pierrebi@pierrebi.it

