

TRAYPOCKET

Horizontal traypacker

LITTLE THINGS ARE IMPORTANT TOO

Traypocket is an extremely compact and flexible monobloc machine for trays and small boxes. It can absorb high production capacities from several upstream lines.

- Product collecting unit at high speed
- Fully servo driven
- Quick size changeover
- Great flexibility in handling a wide range of products and packages (trays, boxes, displays with or without cover)
- Speed up to 40 cycles/minute
- Cantilever design for easy access and cleaning

TRAYPOCKET

Horizontal traypacker



TECHNICAL DATA

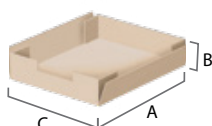
Max mechanical speed	up to 40 cycles/minute
Max compressed air consumption	5+6 NL/cycles
Working pressure	6 BAR
Max absorbed power:	10 kW

SIZE RANGE

Measures in mm.
Modifications can be made for sizes exceeding the standard limit.

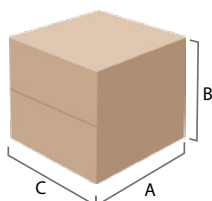
TRAY

	A	B	C
min.	70	40	70
max	250	120	250

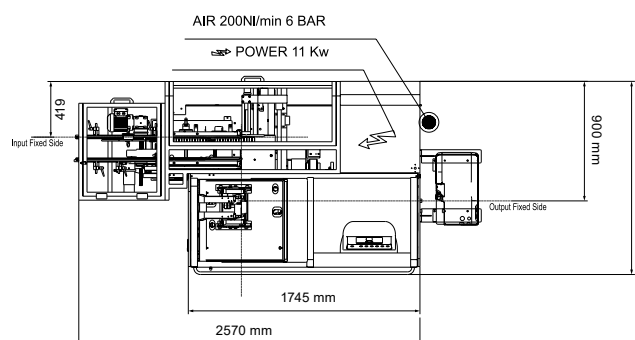
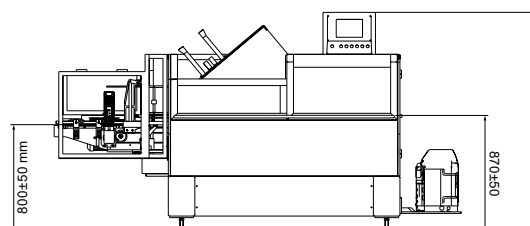


BOX

	A	B	C
min.	70	40	70
max	250	200	250



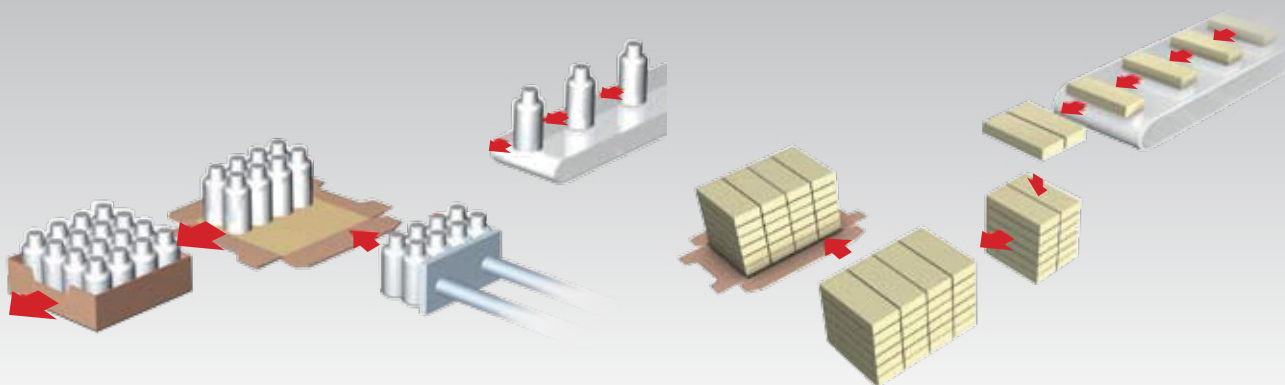
LAYOUT



INFEED

AB

AU



PIERREBI srl

Via Allende 3 – 40026 Imola (BO) – Italy
Tel. +39 0542 067376 – pierrebi@pierrebi.it

prb
PierreBi

www.pierrebi.it

PIERREBI machines comply european standard for work safety (CE mark), and they are supplied with detailed technical informations. Technical data and illustrations are not binding; PIERREBI reserves the right to change the specifications of its machines at any time.